

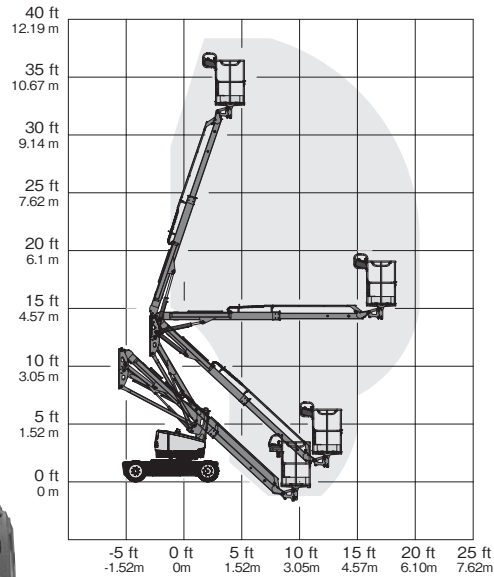
# Articulate Boomlift (Electric)

## Articulate Boomlift (Electric)

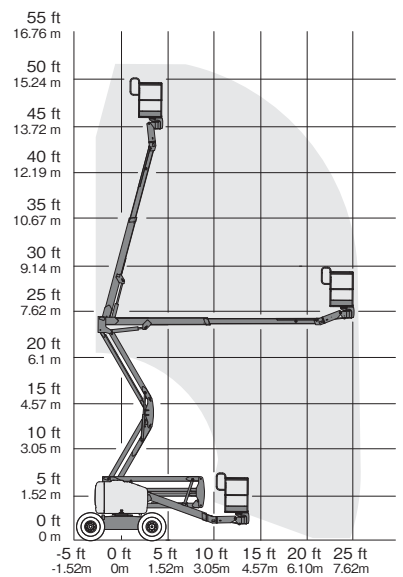


Z33/18 DC

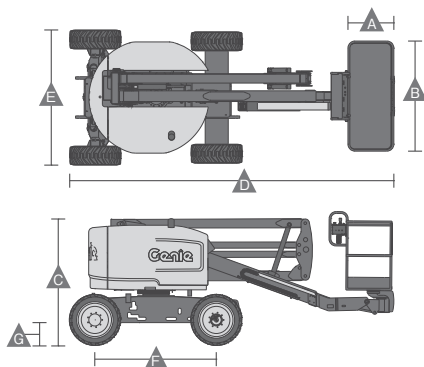
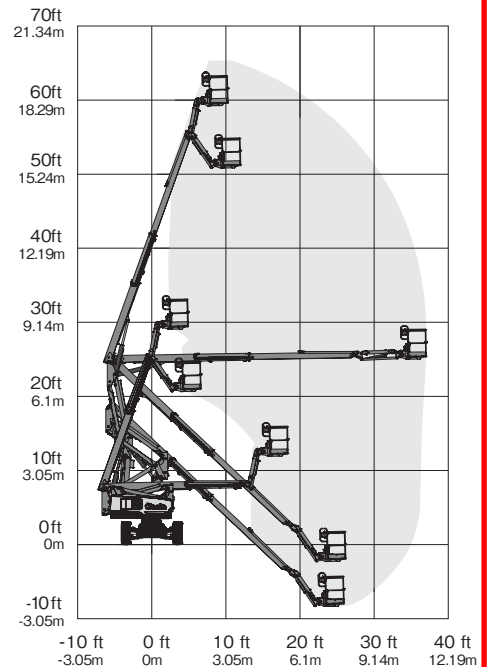
### ● Z33/18 DC



### ● Z45/25 DC



### ● Z60/37 DC



## Specifications

Model	Z33/18 DC	Z45/25 DC	Z60/37 DC
Max. working height (m)	12	15.87	20.16
Max. platform height (m)	10	13.87	18.16
Max. Horizontal reach (m)	5.57	7.62	11.15
Safe working load (kg)	200	227	227
Platform length (m)	A	0.76	0.91
Platform width (m)	B	1.17	2.44
Height - stowed (m)	C	1.98	2.54
Length - stowed (m)	D	4.17	8.15
Width (m)	E	1.50	2.49
Wheelbase (m)	F	1.90	2.49
Ground clearance - center (m)	G	0.15	0.33
Weight (kg)	3,665	6,976/7,089	7,530
Power Source	Battery		

\*Specifications will be changed by year of manufacture.