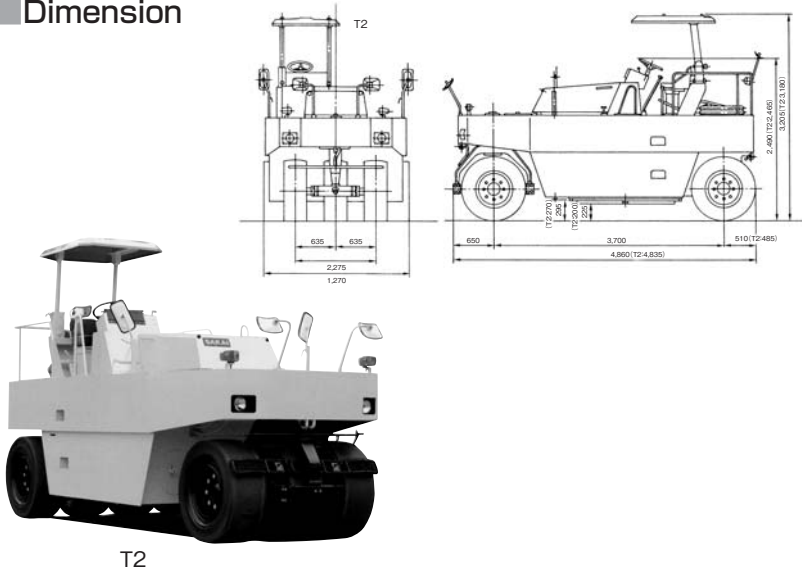


# Tire Roller / Tandem Roller 4ton Combined Roller

## Tire Roller

### Dimension

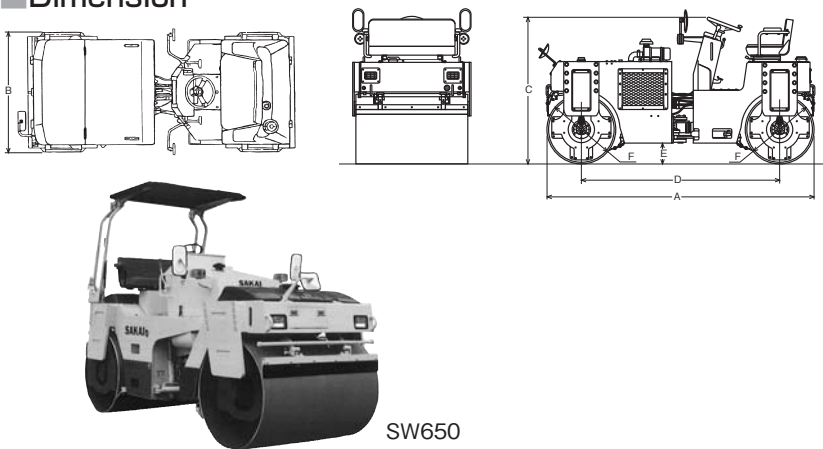


### Specifications

Make		SAKAI
Model		T2-1
Weight	Gross weight (kg)	15,000
	Empty weight (kg)	9,200
Dimensions	Overall length (mm)	<b>A</b> 5,020
	Overall width (mm)	<b>B</b> 2,275
	Overall height (mm)	<b>C</b> 2,905
	without auning (mm)	<b>D</b> 2,210
	Wheel base (mm)	<b>E</b> 3,850
	Ground clearance (mm)	<b>F</b> 250
Roll Dimensions	Front roll (mm)	970×3pcs
	Rear roll (mm)	970×4pcs
Rolling width (mm)		2,275
Minimum turning radius (m)		6.3
Gradability (°)		22
Travel speed (km/h)		0~19
Engine	Rated output (ps/rpm)	99/2,100
	Piston displacement (cc)	4,329
Fuel tank capacity (ℓ)		100
Sprinkler tank capacity (ℓ)		3,800

## Tandem Roller

### Dimension



### Specifications

Make		SAKAI
Model		SW650
Weight	Gross weight (kg)	7,100
	Overall length (mm)	<b>A</b> 4,000
Dimensions	Overall width (mm)	<b>B</b> 1,615
	Overall height (mm)	<b>C</b> 2,780
	Wheel base (mm)	<b>D</b> 2,900
	Ground clearance (mm)	<b>E</b> 275
	Roll Dimensions	<b>F</b> 1,070
	Rolling width (mm)	
Minimum turning radius (m)		4.8
Gradability (°)		19
Travel speed (km/h)		3/11
Engine	Rated output (ps/rpm)	55.9/2,050
	Fuel tank capacity (ℓ)	145
Sprinkler tank capacity (ℓ)		600

## Combined Roller



### Specifications

Make		SAKAI
Model		TW500
Weight	Gross weight (kg)	3,550
	Empty weight (kg)	3,250
Dimensions	Overall length (mm)	<b>A</b> 3,105
	Overall width (mm)	<b>B</b> 1,390
	Overall height (mm)	<b>C</b> 1,770
	without auning (mm)	<b>D</b> 2,300
	Wheel base (mm)	<b>E</b> 1,300
	Ground clearance (mm)	<b>F</b> 250
Rolling width (mm)		555
Minimum turning radius (m)		4.3
Gradability (°)		22
Travel speed (km/h)		0~13
Engine	Rated output (ps/rpm)	30/2,500
	Piston displacement (cc)	1,499
Fuel tank capacity (ℓ)		47
Sprinkler tank capacity (ℓ)		300