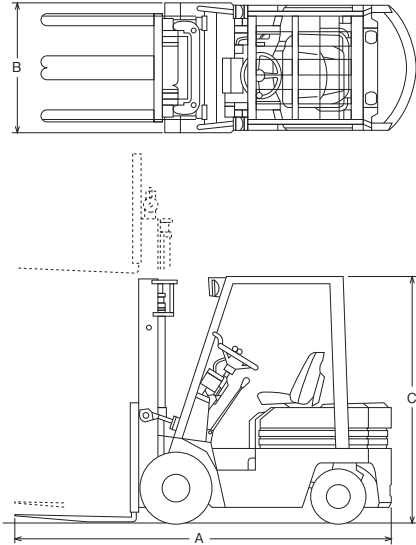


Forklift 1.5~10ton

Hand Pallet 2·3ton

Diesel Forklift

Dimension



Specifications

Model	FD15	FD25	FD30	FD40	FD60	FD70	FD100
Rated capacity (kg)	1,500	2,500	3,000	4,000	6,000	7,000	10,000
Dimensions (mm)	Overall length A	3,315	3,670	3,815	4,200	4,725	5,465
	Overall width B	1,070	1,150	1,240	1,450	1,995	2,245
	Overall height C	2,030	2,060	2,120	2,240	2,515	2,850
	Fork length	1,070	1,070	1,070	1,070	1,220	1,220
Max.Lifting height (mm)	3,000	3,000	3,000	3,000	4,370	3,000	3,000
Minimum turning radius (mm)	1,960	2,240	2,400	2,750	3,350	3,380	3,880
Total weight (kg)	2,640	3,700	4,300	6,230	8,680	9,580	12,530

※ High-mast (4~6m) is also available

※ Attachment-Extension fork

※ Contact sales if exact dimensions are required

Battery Forklift

Specifications



Model	FB15P	FBA18-JZ	FB20	FB25	FBA30-JZ	
Rated capacity(kg)	1,500	1,800	2,000	2,500	3,000	
Dimensions(mm)	Overall length A	3,070	2,118	3,285	3,345	2,548
	Overall width B	1,090	1,120	1,175	1,175	1,285
	Overall height C	1,980	2,000	1,995	1,995	2,045
	Fork length	1,070	1,070	1,070	1,070	1,070
Max.Lifting height(mm)	4,000	4,500	4,000	4,000	4,500	
Minimum turning radius(mm)	1,760	1,965	1,950	2,005	2,349	
Total weight(kg)	2,850	3,490	3,680	4,185	5,100	

※ Contact sales if exact dimensions are required

Reach Truck



Specifications

Model	FBR15	FBR20	FBR25	FBRA30	
Rated capacity(kg)	1,500	2,000	2,500	3,000	
Dimensions(mm)	Overall length A	1,980	2,170	2,170	2,380
	Overall width B	1,090	1,165	1,215	1,230
	Overall height C	2,200	2,330	2,330	2,330
	Fork length	1,070	1,070	1,070	1,070
Max.Lifting height(mm)	3,000	3,000	3,000	4,000	
Minimum turning radius(mm)	1,555	1,750	1,940	2,240	
Total weight(kg)	1,720	2,310	2,400	2,780	

※ Contact sales if exact dimensions are required

Hand Pallet



Specifications

Model	BF25	BF30M
Capacity (kg)	2,500	3,000
Lifting Height (mm)	200	200
Over weight (two fork) (mm)	520	685
Wide (fork to fork) (mm)	370	370
Fork Lower (mm)	95	95
Tires	Non Making Tire	
Fork Length (mm)	1,200	1,200

※ Contact sales if exact dimensions are required