

Aerial Platform

Aluminum Platform (Tachiuma)

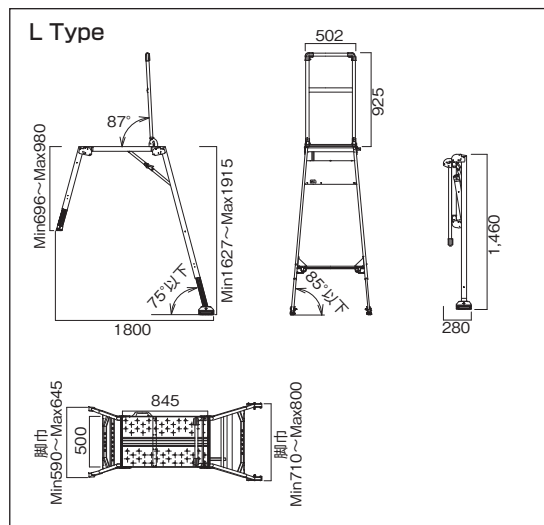


Specifications

Model	GTW-10	GTW-12	GTWX-18
Max. Platform Height (mm)	660-960	920-1,220	1,390-1790
Platform Dimensions (mm)	Length	1,290	1570
	Width	400	500
Working Dimensions (mm)	Length	1,832-1,993	2,506-2,719
	Width	558-635	840-941
Capacity (kg)	150		
Weight (kg)	11.3	13.5	21.2

※Rental item : Guard Rail & Bridge Plate (GTWX-18 Only)

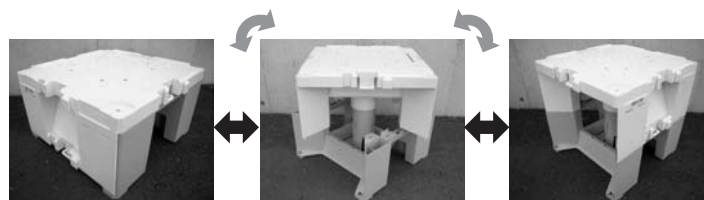
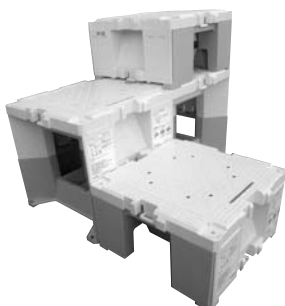
Stair Step Platform (Danpeiuma)



Specifications

Model	L	
Platform Height (mm)	Long leg	1,627-1,915
	Short leg	696-980
Platform Size (mm)	Length	845
	Width	500
Capacity (kg)	150	
Weight (kg)	23	

Step Cube



Specifications

Model	SC50	
Dimensions (mm) (LxWxH)	Low	500×500×288
	High	500×500×503
Capacity (kg)	150	
Weight (kg)	6.1	