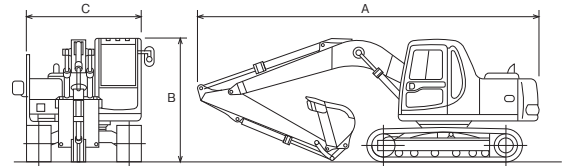


Excavator 0.09~2.39m³ Hydraulic Breaker·Wheel Excavator

Excavator · Excavator Long Boom Type



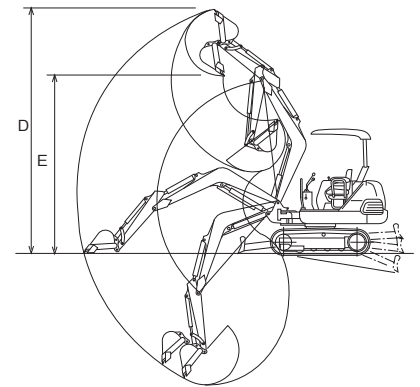
Dimensions



Specifications

Make	KUBOTA	KOMATSU	
Model	U-30	PC70	PC200
Bucket Capacity (m ³)	0.09	0.37	0.80
Digging Reach, Max (mm) D	4,765	7,150	9,305
Dumping Height, Max (mm) E	3,325	5,015	6,475
Engine Type	Diesel	Diesel	Diesel
Max output (ps/rpm)	27/2,200	66/1,950	134/2,000
Travelling Speed, Max (km/h)	3.0/4.6	4.5	5.5
Dimensions (mm) A, B, C	4,485×2,350×1,550	6,080×2,640×2,225	9,425×3,000×2,970
Weight (kg)	2,990	6,590	19,100

Working Range



Hydraulic Breaker



Specifications

Model	SB30TS-P
Operating weight	152 kg
Oil flow	25-50 l/min
Operating pressure	90-120 Kg/cm ²
Impact rate	600-1100 BPM
85dB(A) radius	4-8 m
Tool diameter	53 mm
Applicable carrier weight	2.5-4.5 ton

Wheel Excavator



Specifications

Make	Volvo
Model	EW55B
Bucket Capacity (m ³)	0.17
Digging Reach, Max (mm)	5,990
Dumping Height, Max (mm)	4,290
Engine Type	Diesel, 1ACAE2EW2K
Max output (ps/rpm)	54.8/2,200
Travelling Speed, Max (km/h)	30
Dimensions (mm)	5,870×1,920×2,825
Weight (kg)	5,300