

# Spider Boomlift (Engine/ Electric)

## Spider Boomlift (Engine/ Electric)



TRACCESS230



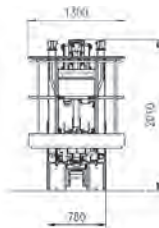
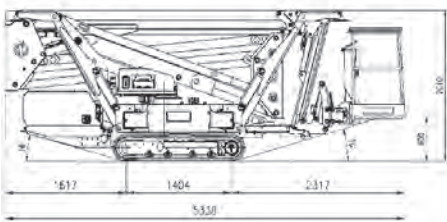
TRACCESS170E

### Specifications

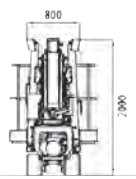
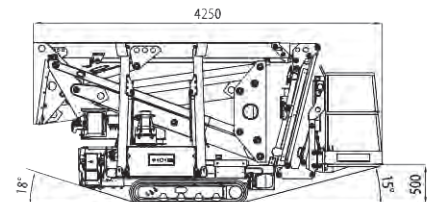
Make	CTE	CTE	CTE
Model	TRACCESS170E	TRACCESS230E	TRACCESS230
Max. Working Height (m)	17	23	23
Max. Platform Height (m)	15	21	21
Max. Horizontal Reach (m)	7.5	11.70	11.70
Safe Working Load (kg)	200	200	200
Platform Dimensions	1.3 x 0.7 x 1.1	1.3 x 0.7 x 1.1	1.3 x 0.7 x 1.1
Turret Rotation	330° +/-	340° +/-	340° +/-
Hydraulic Oil Tank Capacity (ℓ)		32	32
Max. Gradeability (%)	31	31	31
Max. Drive speed (km/h)	1.5	0.6	0.6
Outriggers wheelbase (m)	4	4	4
Weight (kg)	2,050	3,000	3,000
Power Source	Lithium Battery 48V	Lithium Battery 48V	Diesel Engine /Electric AC220V

### Dimensions

TRACCESS230

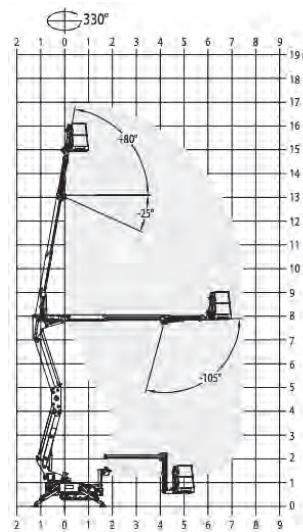


TRACCESS170E

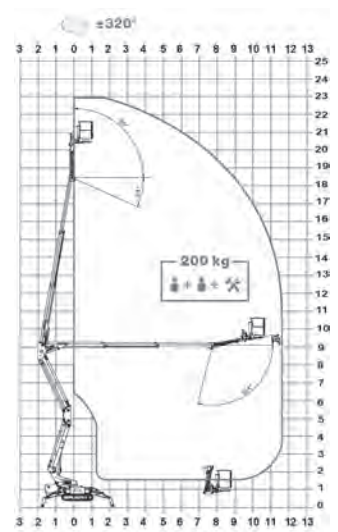


### Working Envelope

TRACCESS170E

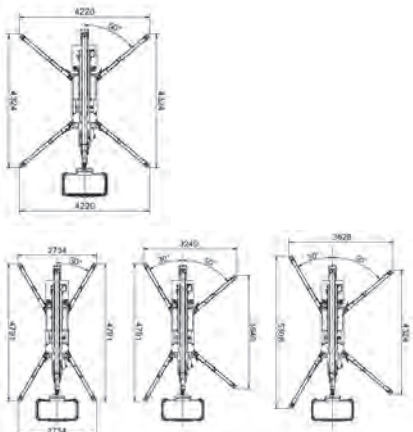


TRACCESS230



### Outrigger Footprint

TRACCESS230



TRACCESS170

