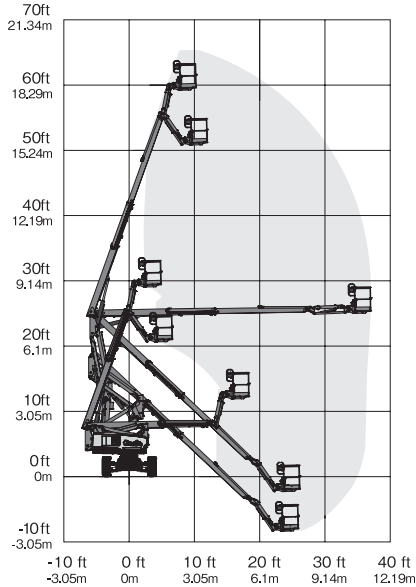


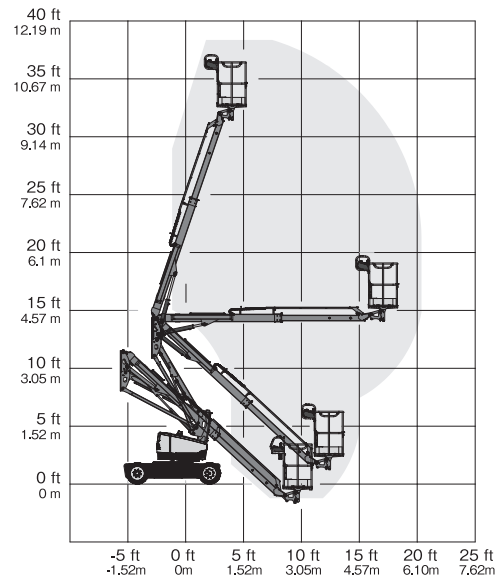
# Articulated Boomlift (Electric & Hybrid)

## Articulated Boomlift (Electric)

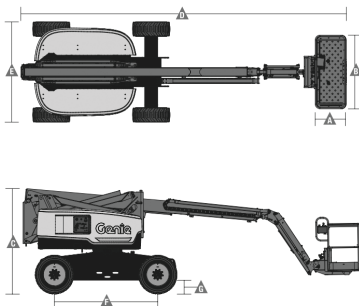
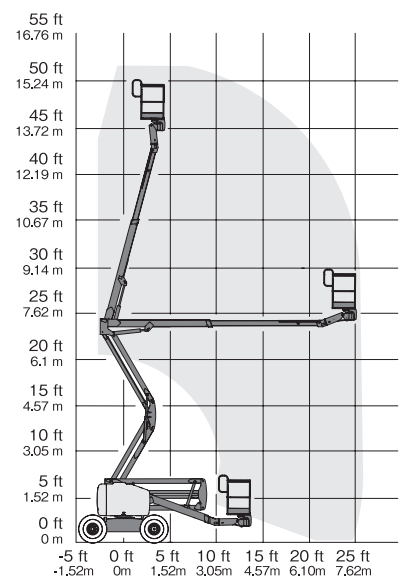
### ● Z60/37 DC



### ● Z33/18 DC



### ● Z45/25 DC



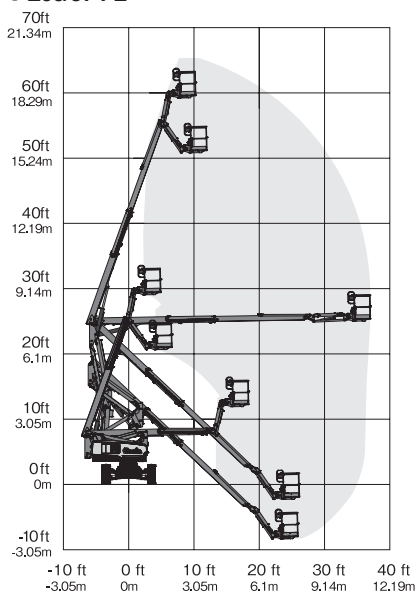
## Specifications

Model	Z33/18 DC	Z45/25 DC	Z60/37 DC
Max.Working Height (m)	12	15.87	20.16
Max.Platform Height (m)	10	13.87	18.16
Max.Horizontal Reach (m)	5.57	7.62	11.15
Safe Working Load (kg)	200	227	227
Platform Length (m)	A 0.76	0.76	0.91
Platform Width (m)	B 1.17	1.83	2.44
Height-Stowed (m)	C 1.98	2.11	2.54
Length-Stowed (m)	D 4.17	6.83	8.15
Width (m)	E 1.50	1.79	2.49
Wheel Base (m)	F 1.90	2.03	2.49
Ground Clearance-Center (m)	G 0.15	0.24	0.33
Weight (kg)	3,665	6,976/7,089	7,530
Power Source	Battery		

※Specifications will be changed by year of manufacture.

## Articulated Boomlift (Hybrid)

### ● Z60/37 FE



#### ※ Two modes of operation:

- Fully electric mode
- Hybrid mode

#### ※ What is the Hybrid mode?

-While the boom lift works by a generator inside, the battery can be charged to 80% of capacity and can run for 4 hours.



## Specifications

Model	Z60/37 FE
Max.Working Height (m)	20.16
Max.Platform Height (m)	18.16
Max.Horizontal Reach (m)	11.15
Safe Working Load (kg)	227
Platform Length (m)	A 0.91
Platform Width (m)	B 2.44
Height-Stowed (m)	C 2.54
Length-Stowed (m)	D 8.15
Width (m)	E 2.49
Wheel Base (m)	F 2.49
Ground Clearance-Center (m)	G 0.33
Weight (kg)	7,756
Power Source	Battery/Engine