

# Aerial Platform

## Aluminum Platform (Tachiuma)

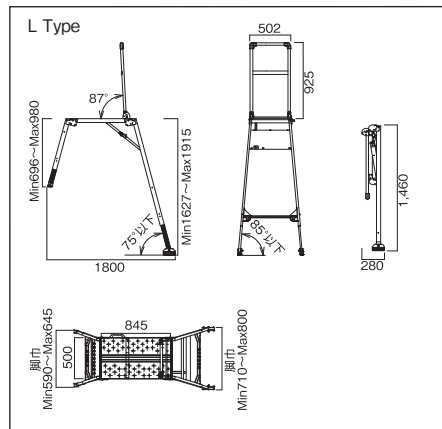


### Specifications

| Model                     | GTW-10    | GTW-12        | GTWX-18       |
|---------------------------|-----------|---------------|---------------|
| Max. Platform Height (mm) | 660 - 960 | 920 - 1,220   | 1,390 - 1,790 |
| Platform Dimensions (mm)  | Length    | 1,290         | 1,290         |
|                           | Width     | 400           | 400           |
| Working Dimensions (mm)   | Length    | 1,832 - 1,993 | 1,971 - 2,132 |
|                           | Width     | 558 - 635     | 620 - 697     |
| Capacity (kg)             | 150       |               |               |
| Weight (kg)               | 11.3      | 13.5          | 21.2          |

※Rental item: Guard rail & Bridge plate (GTWX-18 only)

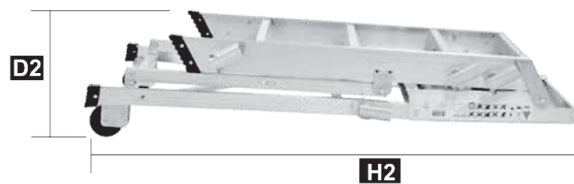
## Stair Step Platform (Danpeiuma)



### Specifications

| Model                | L         |               |
|----------------------|-----------|---------------|
| Platform Height (mm) | Long Leg  | 1,627 - 1,915 |
|                      | Short Leg | 696 - 980     |
| Platform Size (mm)   | Length    | 845           |
|                      | Width     | 500           |
| Capacity (kg)        | 150       |               |
| Weight (kg)          | 23        |               |

## Aluminum Platform Ladder



### Specifications

| Model                       | DAD-90EN(H)      | DAD-120EN(H)     | DAD-150EN(H)     | DAD-180EN(H)     | DAD-210EN(H)     |
|-----------------------------|------------------|------------------|------------------|------------------|------------------|
| Load capacity (kg)          | 150              |                  |                  |                  |                  |
| Platform height (mm) (H)    | 1010             | 1270             | 1520             | 1780             | 2030             |
| Handrail height (mm) (H1)   | 100              |                  |                  |                  |                  |
| Total height (mm) (H+H1)    | 2010             | 2270             | 2520             | 2780             | 3030             |
| Front base width (mm) (W1)  | 520              |                  |                  |                  |                  |
| Rear base width (mm) (W2)   | 710              | 770              | 840              | 900              | 960              |
| Deep (mm) (D1)              | 1300             | 1470             | 1640             | 1810             | 1980             |
| Storage dimensions (mm) (※) | 1510 x 710 x 320 | 1770 x 770 x 320 | 2020 x 840 x 320 | 2280 x 900 x 320 | 2540 x 960 x 320 |
| Weight (kg)                 | 26.5             | 28.2             | 30.2             | 31.8             | 34               |

(※): H2 x W2 x D2