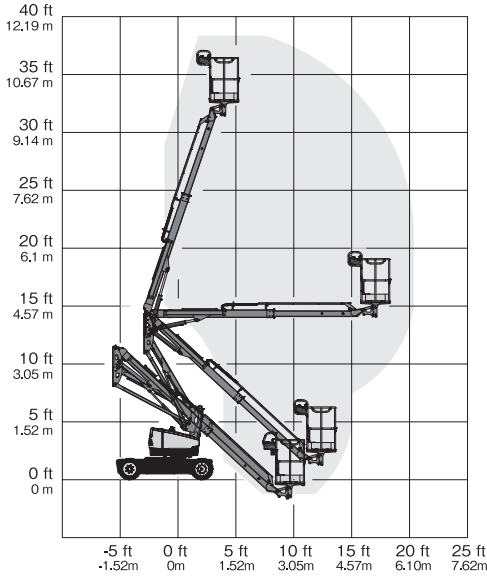


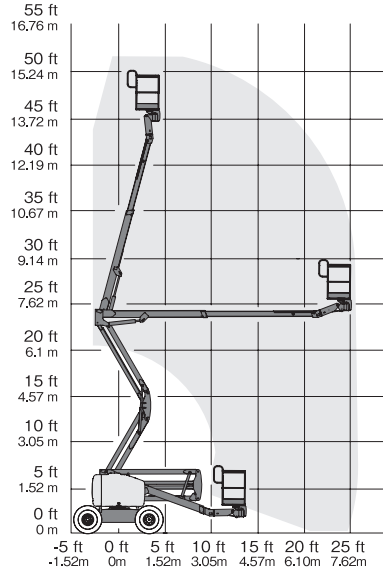
# Articulated Boomlift (Electric & Hybrid)

## Articulated Boomlift (Electric)

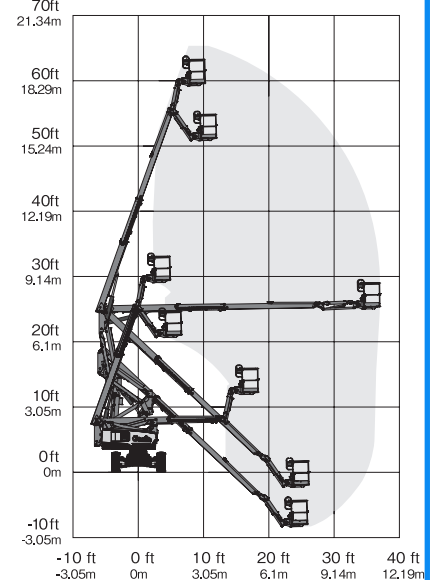
### ● Z33/18 DC



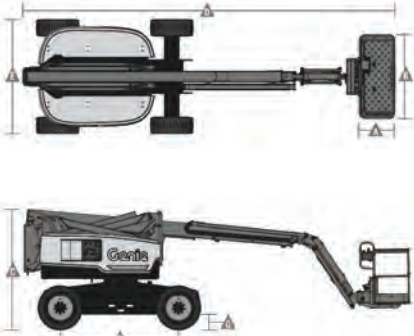
### ● Z45/25 DC



### ● Z60/37 DC



## Dimensions



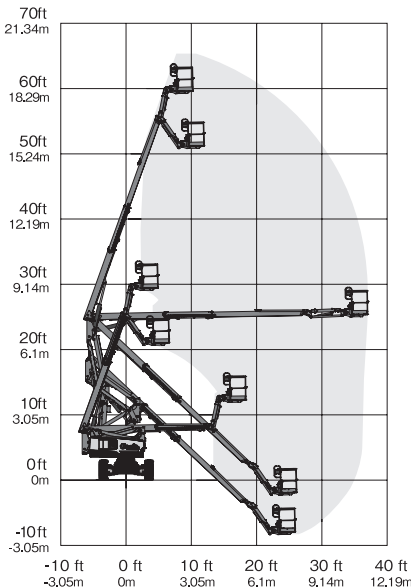
## Specifications

Model	Z33/28 DC	Z45/25 DC	Z60/37 DC
Max. Working Height (m)	12	15.87	20.16
Max. Platform Height (m)	10	13.87	18.16
Max. Horizontal Reach (m)	5.57	7.62	11.15
Safe Working Load (kg)	200	227	227
Platform Length (m)	A	0.76	0.91
Platform Width (m)	B	1.17	2.44
Height-Stowed (m)	C	1.98	2.54
Length-Stowed (m)	D	4.17	6.83
Width (m)	E	1.50	1.79
Wheel Base (m)	F	1.90	2.49
Ground Clearance-Center (m)	G	0.15	0.24
Weight (kg)	3,665	6,976 / 7,089	7,530
Power Source	Battery		

※Machine specifications may change depending on manufacturing year.  
Please request the newest catalogue for each model from Sales.

## Articulated Boomlift (Hybrid)

### ● Z60/37 FE



- ※ Two modes of operation:
  - Fully electric mode
  - Hybrid mode
- ※ What is the Hybrid mode?
  - While the boomlift operates using an internal generator, the battery can be charged to 80% of its capacity, allowing the boomlift to run for 4 hours on electric mode.



## Specifications

Model	Z60/37 FE
Max. Working Height (m)	20.16
Max. Platform Height (m)	18.16
Max. Horizontal Reach (m)	11.15
Safe Working Load (kg)	227
Platform Length (m)	A
Platform Width (m)	B
Height-Stowed (m)	C
Length-Stowed (m)	D
Width (m)	E
Wheel Base (m)	F
Ground Clearance-Center (m)	G
Weight (kg)	7,756
Power Source	Battery/Engine

※Machine specifications may change depending on manufacturing year.  
Please request the newest catalogue for each model from Sales.