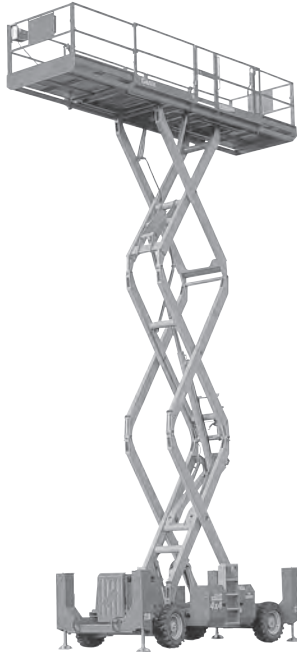


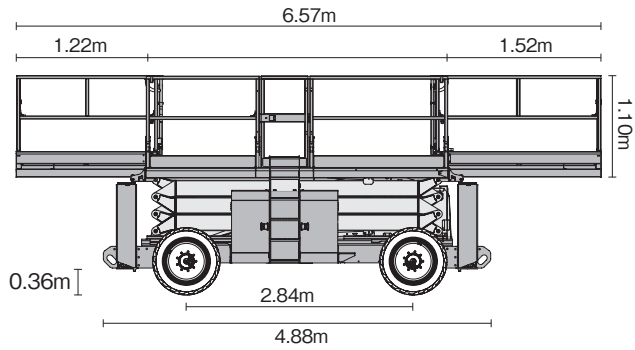
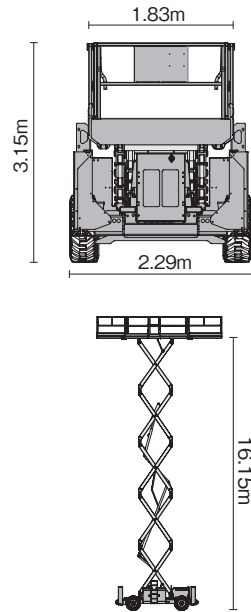
Scissor Lift (Engine) • Telescopic Boomlift (Electric)

Scissor Lift (Engine)



GS5390

■ Dimensions



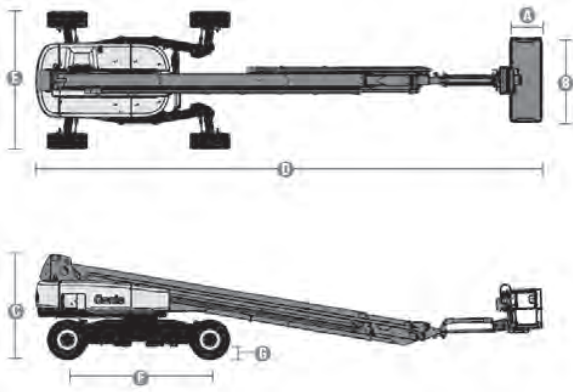
■ Specifications

Make	GENIE
Model	GS5390
Max. Working Height (mm)	18,150
Max. Platform Height (mm)	16,150
Safe Working Load (kg)	680
Weight (kg)	9,100
Power Source	Diesel Engine

※ Machine specifications may change depending on manufacturing year. Please request the newest catalogue for each model from Sales.

Telescopic Boomlift (Electric)

■ Dimensions



● S60DC



■ Specifications

Make	GENIE
Model	S60DC
Max. Working Height (m)	20.60
Max. Platform Height (m)	18.60
Max. Horizontal Reach (m)	12.30
Safe Working Load (kg) (unrestricted - restricted)	300
Platform Width (m)	A 0.76
Platform Length (m)	B 1.83
Machine Height-Stowed (m)	C 2.73
Machine Length-Stowed (m)	D 9.65
Machine Width-Axles Extended (m)	E 2.49
Wheelbase (m)	F 2.49
Ground Clearance Center (m)	G 0.46
Weight (kg)	7,983
Power Source	Battery

※ Machine specifications may change depending on manufacturing year. Please request the newest catalogue for each model from Sales.