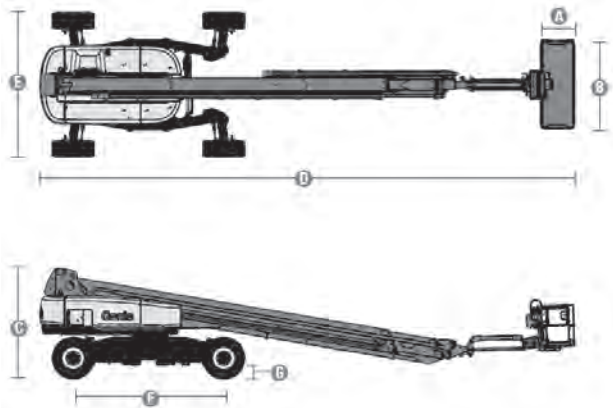


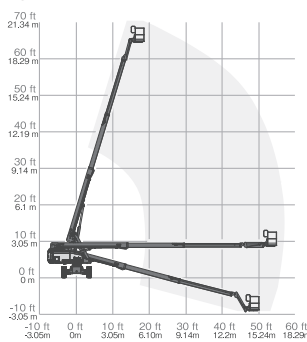
Telescopic Boomlift (Engine)

Telescopic Boomlift (Engine)

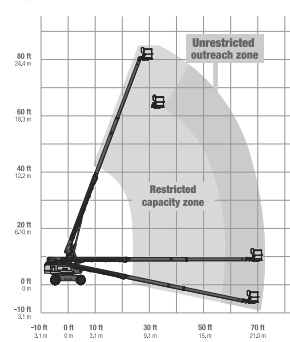
Dimensions



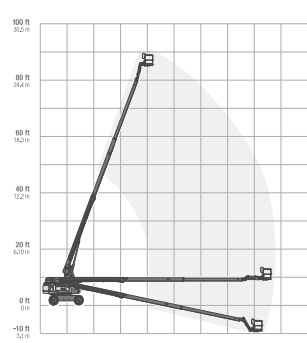
● S65



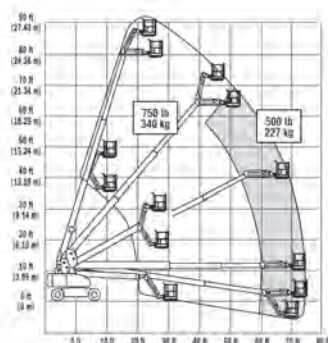
● S80



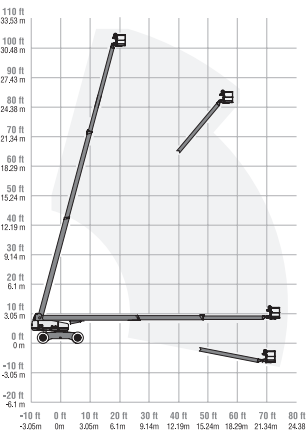
● S85



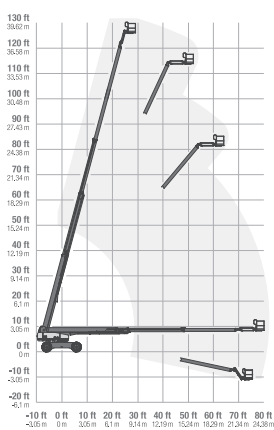
● 860SJ



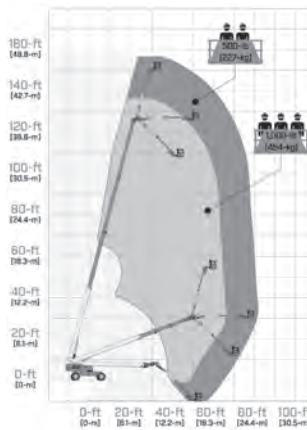
● S100



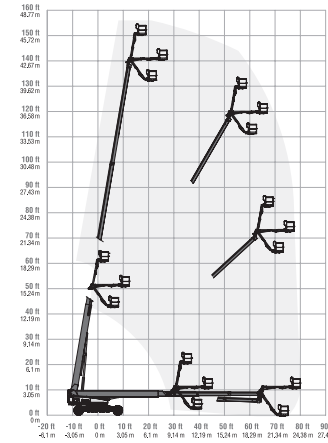
● S125



● 1500SJ



● SX150



Specifications

Make	GENIE	GENIE	GENIE	JLG	GENIE	GENIE	JLG	GENIE
Model	S65	S80	S85	860SJ	S100	S125	1500SJ	SX150
Max. Working Height (m)	21.81	26.40	27.90	28.21	32.48	40.15	47.72	48.33
Max. Platform Height (m)	19.81	24.40	25.90	26.21	30.48	38.15	45.72	46.33
Max. Horizontal Reach (m)	17.10	22.07	23.60	22.86	22.86	24.38	24.38	24.38
Safe Working Load (kg) (unrestricted - restricted)	227	227	227	227	340	227	227-454	340
Platform Length (m)	A	0.91	0.91	0.91	0.91	0.91	0.91	0.91
Platform Width (m)	B	2.44	2.44	2.44	2.44	2.44	2.44	2.44
Machine Height-Stowed (m)	C	2.72	2.80	2.80	3.05	3.07	3.05	3.05
Machine Length-Stowed (m)	D	9.42	11.35	12.37	12.19	13.00	14.25	13.11
Machine Width-Axles Extended (m)	E	2.49	2.44	2.44	2.49	3.35	3.35	3.81
Wheelbase (m)	F	2.50	2.80	2.80	3.05	3.35	3.66	4.72
Ground Clearance Center (m)	G	0.37	0.43	0.43	0.28	0.44	0.44	0.30
Weight (kg)	10,102	16,293	17,191	17,200	18,008	20,248	21,772	22,657
Power Source	Diesel Engine							

*Machine specifications may change depending on manufacturing year.