

# Articulated & Telescopic Boomlift (Engine) Telescopic Tracked Boomlift (Engine)

## Half Articulated & Telescopic Boomlift (Engine)

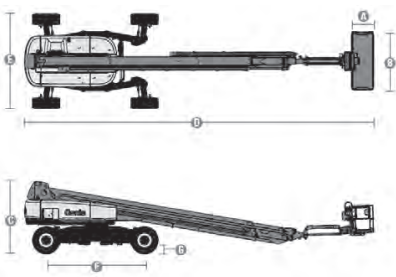
●S60J



●S80J



### Dimensions

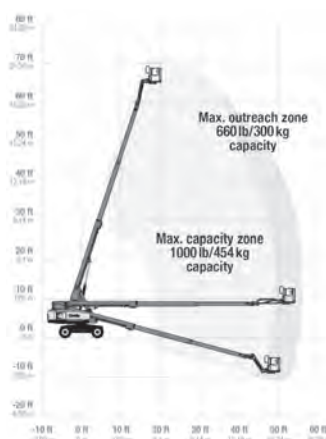


### Specifications

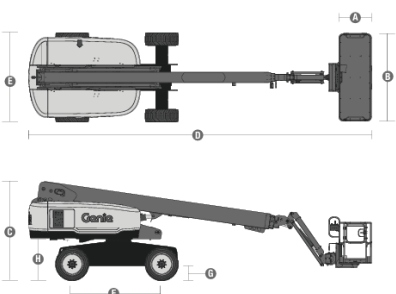
Make	GENIE	GENIE
Model	S60J	S80J
Max. Working Height (m)	20.50	26.51
Max. Platform Height (m)	18.50	24.51
Max. Horizontal Reach (m)	12.30	16.69
Safe Working Load (kg) (unrestricted - restricted)	300	
Platform Width (m)	A	1.83
Platform Length (m)	B	0.76
Machine Height-Stowed (m)	C	2.69
Machine Length-Stowed (m)	D	9.70
Machine Width-Axles Extended (m)	E	2.49
Wheelbase (m)	F	2.44
Ground Clearance Center (m)	G	0.56
Weight (kg)	7,550	11,113
Power Source	Diesel Engine	

※ Machine specifications may change depending on manufacturing year.  
Please request the newest catalogue for each model from Sales.

## Telescopic Tracked Boomlift (Engine)



### Dimensions



### Specifications

Make	GENIE
Model	S65 TraX
Max. Working Height (m)	21.81
Max. Platform Height (m)	19.81
Max. Horizontal Reach (m)	16.51
Safe Working Load (kg) (unrestricted - restricted)	300 - 454
Platform Length (m)	A
Platform Width (m)	B
Machine Height-Stowed (m)	C
Machine Length-Stowed (m)	D
Machine Width-Axles Extended (m)	E
Wheelbase (m)	F
Ground Clearance Center (m)	G
Weight (kg)	13,098
Power Source	Diesel Engine

※ Machine specifications may change depending on manufacturing year.  
Please request the newest catalogue for each model from Sales.