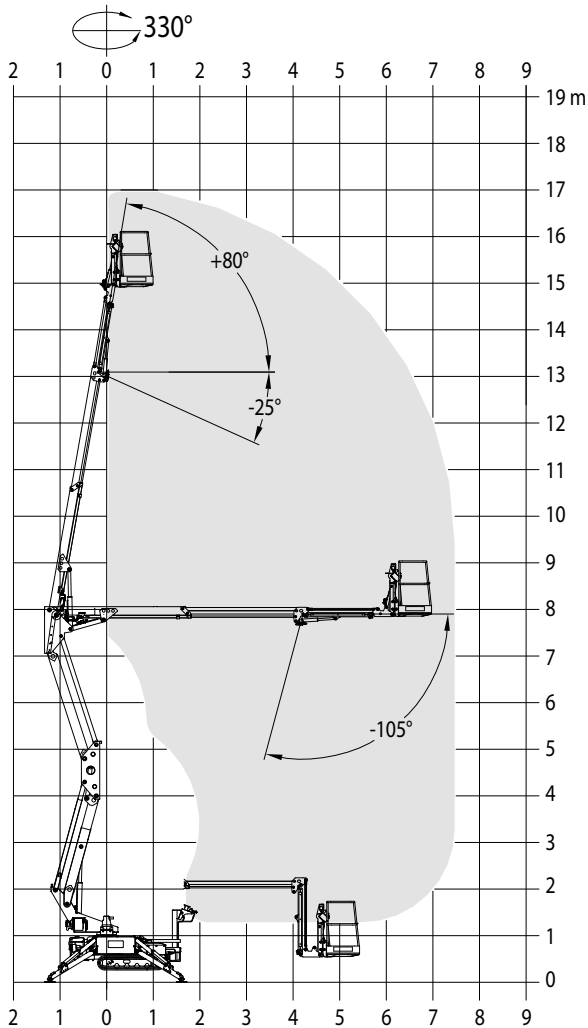








# SPECIFICATION

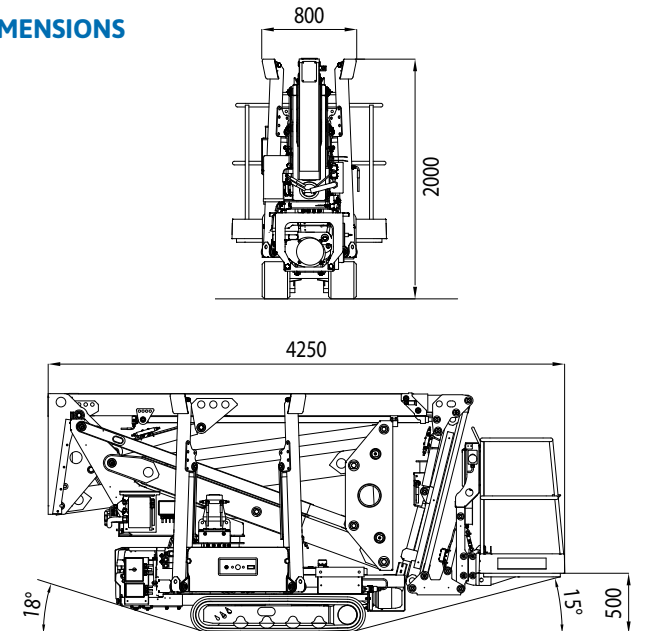
# TRACCESS 170

## WORKING ENVELOPE

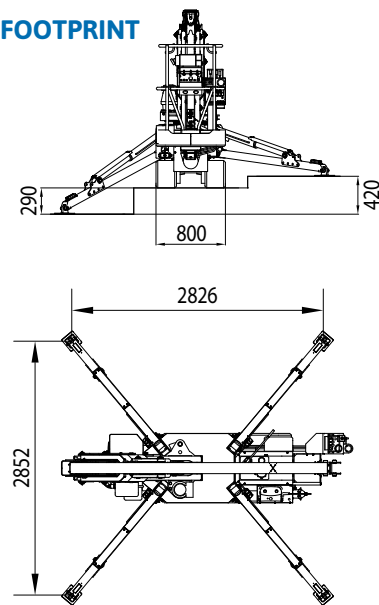


-  17 m\*
-  7,5 m\*
-  200 kg
-  15 m
-  1300x700x1100 mm
-  2050 kg

## DIMENSIONS



## OUTRIGGER FOOTPRINT



\* outreach and height max values and repeatability can change within  $\pm 3\%$  due to manufacturing variation and working condition.

Product specifications are subject to change without notice or obligation. Technical features and drawings in this brochure are for illustrative purposes only. TRACCESS 170 - ed. 04/16



**CTE S.p.A.**  
**Headquarter and Factory**  
 7 Via Caproni - Rovereto (TN) IT, 38068  
 Ph. +39 0464 48.50.50 - Fax +39 0464 48.50.99  
 info@ctelift.com - [www.ctelift.com](http://www.ctelift.com)  
 Factory 5 Loc. Terramatta - Rivoli Veronese (VR) IT, 37010  
**CTE UK Ltd** Enderby Leicestershire - UK

