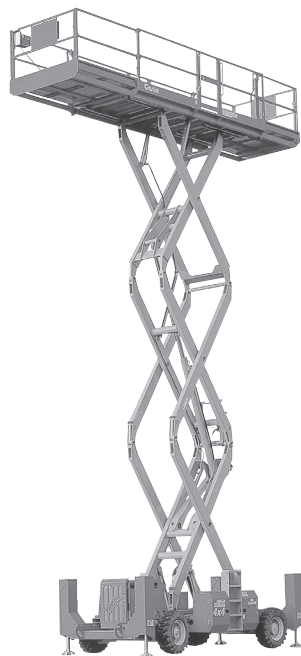


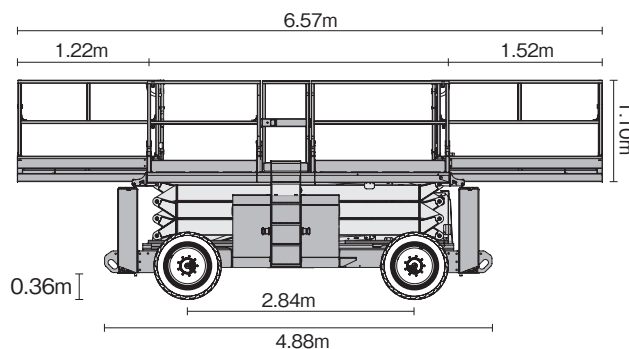
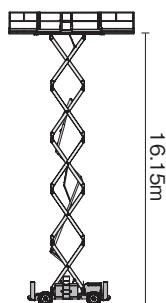
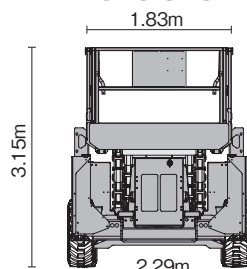
Scissor Lift (Engine) • Telescopic Boomlift (Electric)

Scissor Lift (Engine)



GS5390

Dimensions



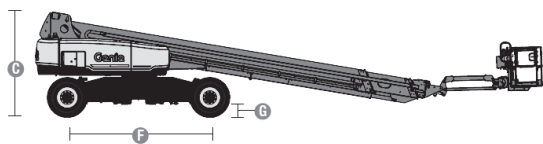
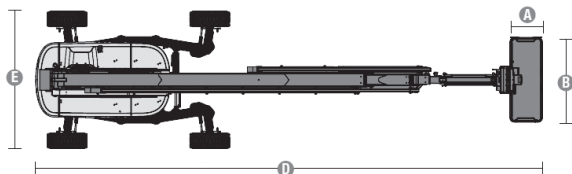
Specifications

Make	GENIE
Model	GS5390
Max. Working Height (mm)	18,150
Max. Platform Height (mm)	16,150
Safe Working Load (kg)	680
Weight (kg)	9,100
Power Source	Diesel Engine

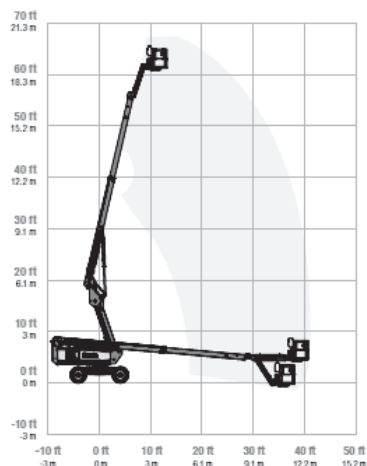
※ Machine specifications may change depending on manufacturing year.
Please request the newest catalogue for each model from Sales.

Telescopic Boomlift (Electric)

Dimensions



● S60DC



Specifications

Make	GENIE
Model	S60DC
Max. Working Height (m)	20.60
Max. Platform Height (m)	18.60
Max. Horizontal Reach (m)	12.30
Safe Working Load (kg) (unrestricted - restricted)	300
Platform Width (m)	A 0.76
Platform Length (m)	B 1.83
Machine Height-Stowed (m)	C 2.73
Machine Length-Stowed (m)	D 9.65
Machine Width-Axles Extended (m)	E 2.49
Wheelbase (m)	F 2.49
Ground Clearance Center (m)	G 0.46
Weight (kg)	7,983
Power Source	Battery

※ Machine specifications may change depending on manufacturing year.
Please request the newest catalogue for each model from Sales.